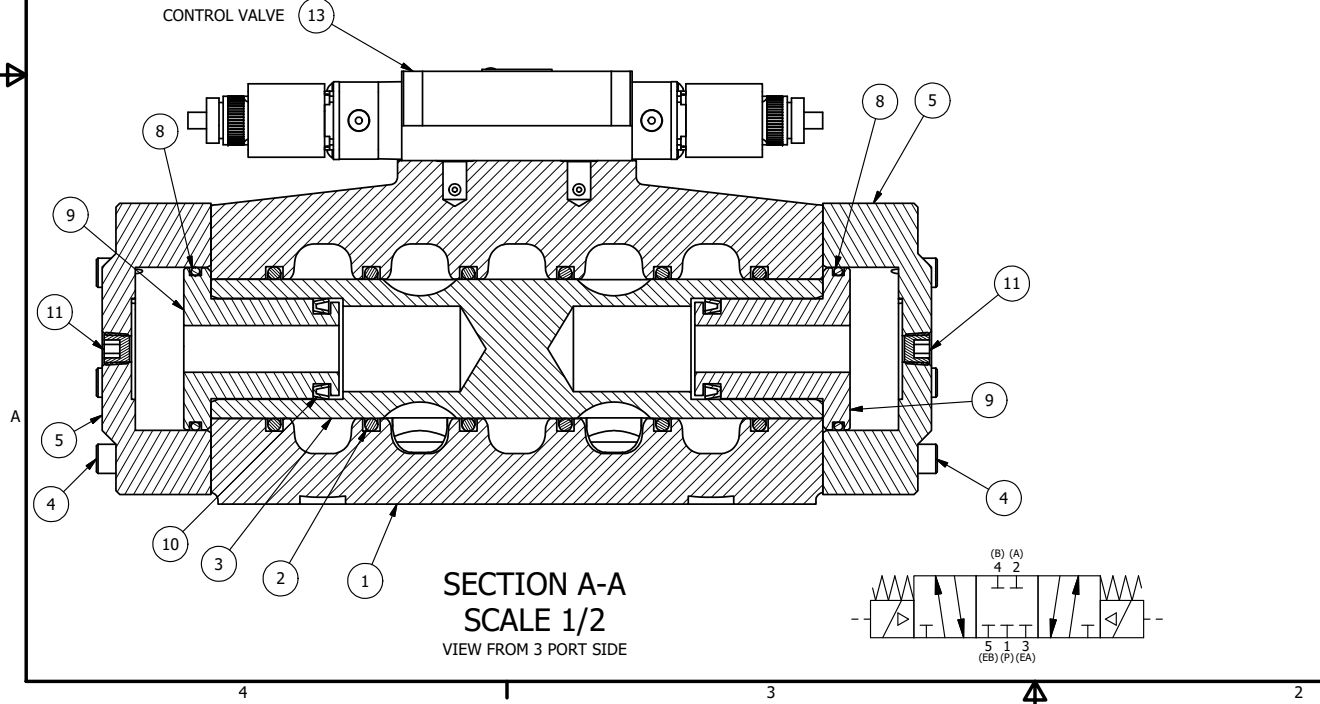


- NOTES:
- 1) ALWAYS GIVE VALVE MODEL AND PART NUMBER WHEN ORDERING.
 - 2) OPEN MUFFLER 2 TURNS FROM CLOSED POSITION. TIGHTEN LOCK NUT ON MUFFLER.
 - 3) INSTALL MUFFLER WITH MAGNALUBE-G GREASE 1 TO 1-1/2 TURNS FROM HAND TIGHT INTO BODY.
 - 4) FOR DIFFERENT VOLTAGES OTHER THAN 120/60, REPLACE TOP CONTROL VALVE WITH VALVE LISTED IN TABLE BELOW.

THE FOLLOWING PARTS ARE INCLUDED WITH THE SUBPLATE VALVE AND ARE USED TO ASSEMBLE.

QTY	PART NO	DESCRIPTION	
5	V-92	O-RING, BUNA-N, 70 DURO, AS-014, (REF 1/2 X 5/8 X 1/16), 3/8" SUBPLATE	
4	V-35	SCREW, 10-24 X 7/8, SOCKET HEAD CAP	
14	1	SPK-16 KIT - SUBPLATE MOUNT, 2" SUBPLATE VALVES	
13	1	ESY3PDTL 24VDC 3/8" SUBPLATE, DBL SOL, 3 POS, SPR CTR, REGEN CTR SPL, ATEX, 24VDC, DUST EXCLDR	
12	2	MFC2 ASSEMBLY - MUFFLER FLOW CONTROL, 1/4" NPT	
11	2	V-337 PLUG, SOCKET 1/4-18 FLUSH SEAL PLUG	
10	2	V-129 U-CUP, 1-5/8 X 1-1/8 X 1/4, NITRILE	
9	2	SPC12 SPOOL - PRESS. CTR, 1 1/2" & 2" VALVE	
8	2	V-128 O-RING, BUNA-N, 70 DURO, AS-229, (REF 2-3/8 X 2-5/8 X 1/8), 3 POS, 1-1/2" & 2" VALVES	
7	3	V-231 PLUG, SOCKET PRESSURE 1/16-27X 7/8 TAPER FOR 122V,192V, FOR EC	
6	2	V-89 O-RING, BUNA-N, 70 DURO, AS-110, (REF 3/8 X 9/16 X 3/32), 1" & 2" SUBPLATE PILOT	
5	2	PCE12E ENDCAP - PRESSURE CTR, SOLID, 6061-T6 AL, 1-1/2" & 2" VALVES	
4	12	V-143 SCREW, 5/16-18 X 2, SOCKET HEAD CAP	
3	1	S12 SPOOL - STANDARD, 2 POS - 3 POS CLOSED CTR, 1 1/2" & 2" VALVE	
2	6	V-123 O-RING, BUNA-N, 70 DURO, AS-331, (REF 2-1/4 X 2-5/8 X 3/16), 1-1/2" & 2" VALVES	
1	1	BP16-6 BODY, 2" SUBPLATE, PIGGY BACK	
FLG	QTY	PART NO	DESCRIPTION



LIMITS ON DIMENSIONS UNLESS OTHERWISE SPECIFIED		2-PL DECIMAL ± .01 3-PL DECIMAL ± .005 FRACTIONAL ± 1/64 ANGULAR ± 1/2°		AAA PRODUCTS INTERNATIONAL 7114 Harry Hines Blvd Dallas, TX 75235
DRAWN: RMckenna	DATE: 5/27/2019	CHECKED: KWaite	DATE: 5/27/2019	
SCALE: 1/2	SHEET: 1 OF 1	RELEASED: HWomack	DATE: 5/27/2019	
TITLE: 2" SUBPLATE, DBL SOL, 3 POS, CLSD SPR CTR, ATEX, 24VDC, DUST EXCLDR, EXT PILOT			PART NO.: ESY16PTLZ 24VDC	REV.:

THE INFORMATION CONTAINED WITHIN THIS DOCUMENT IS PROPRIETARY TO AAA PRODUCTS AND MAY NOT BE DISCLOSED WITHOUT PRIOR WRITTEN CONSENT

D:\Engineering\Product\Valve Assembly\Standard\ESY16PTLZ 24VDC.dwg